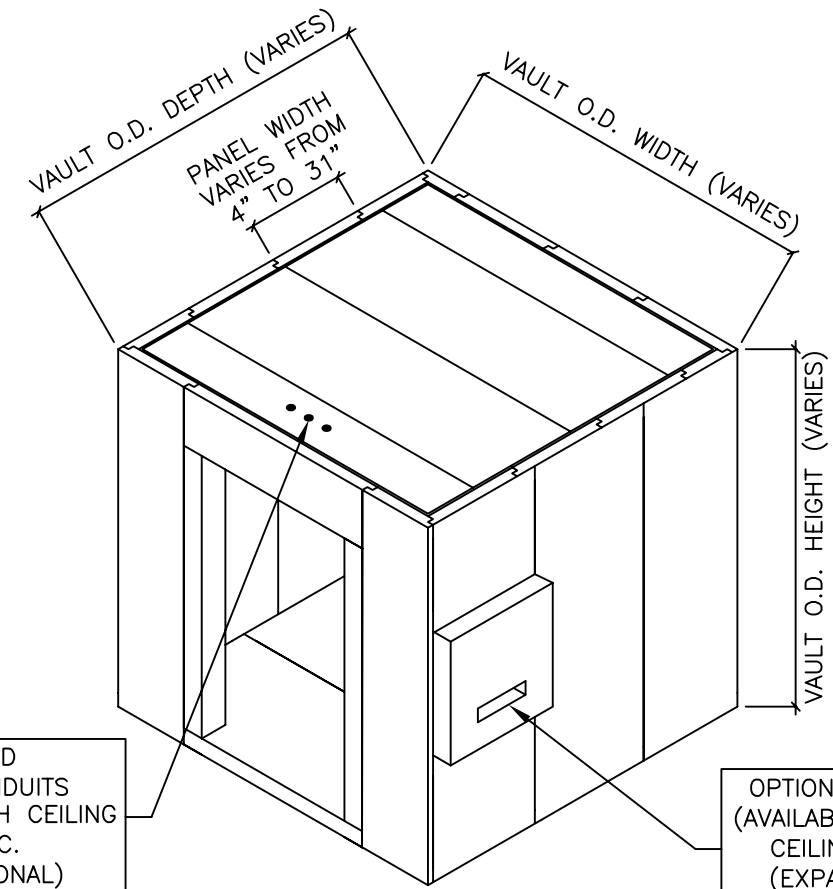


REV	DESCRIPTION	DATE	BY
A	Initial Issue	03/11/10	ADS

GSA CLASS 5 LIGHTWEIGHT MODULAR VAULT SUBMITTAL

GOVERNMENT DESIGNATION: TYPE I LIGHTWEIGHT, BOLTED (STYLE A = 6-SIDED; STYLE B = 5-SIDED)

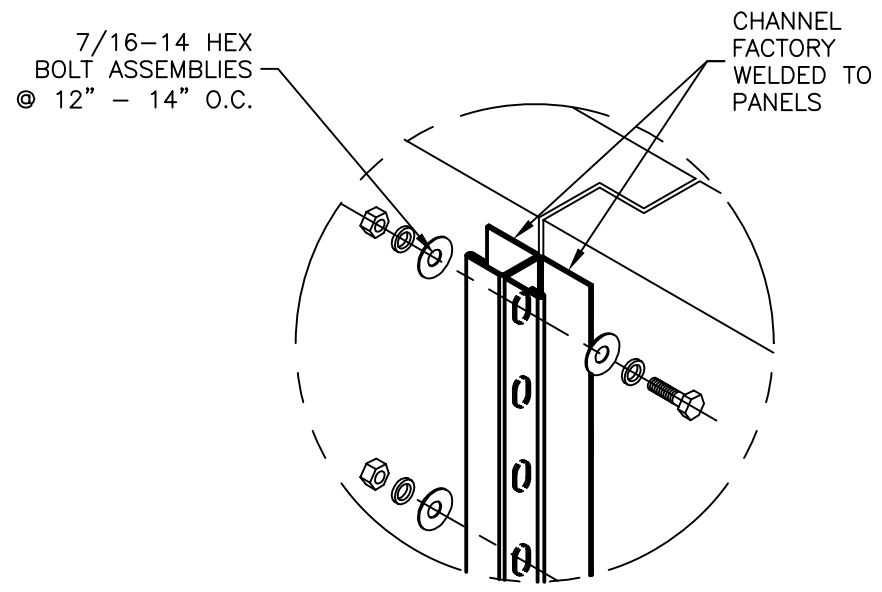
QUALIFICATION REFERENCE #: 3FNE-93-184
FEDERAL SPEC. - AA-V-2737



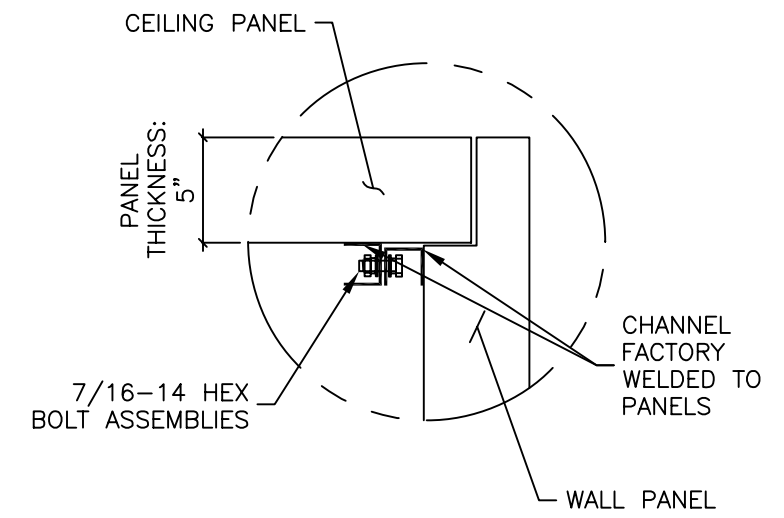
STANDARD (3) ϕ 1" CONDUITS OFFSET THROUGH CEILING @ 4" O.C. (MORE OPTIONAL)

OPTIONAL PORT VENT (AVAILABLE MOUNTED IN CEILING OR WALL) (EXPANDED METAL COVERS OPTIONAL)

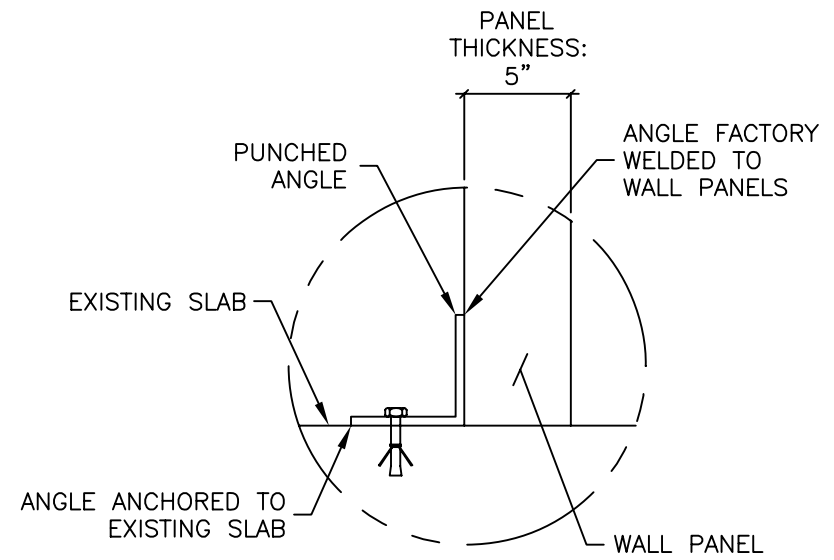
GSA CLASS 5 LIGHTWEIGHT MODULAR VAULT



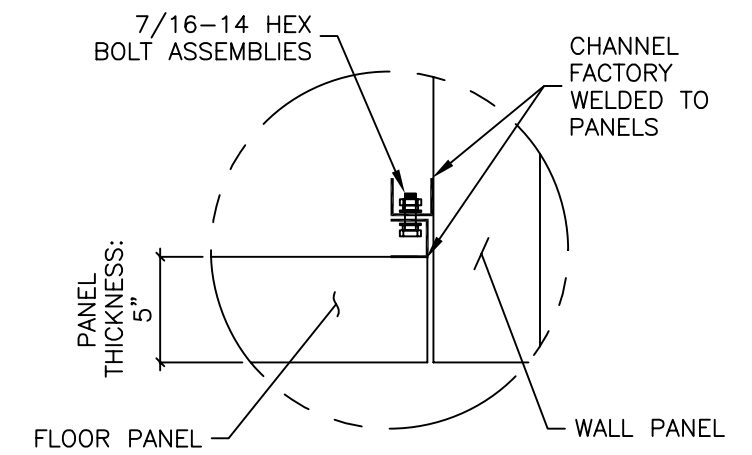
TYPICAL PANEL TO PANEL CONNECTION



TYPICAL WALL TO CEILING CONNECTION



TYPICAL WALL TO FLOOR CONNECTION (5-SIDED VAULT)



TYPICAL WALL TO FLOOR CONNECTION (6-SIDED VAULT)

- NOTES:
- 1) PANELS CONSTRUCTED OF PROPRIETARY LAMINATE LAYERS WITHIN STEEL SHELL
 - 2) ALL EXPOSED STEEL TO BE RUST RESISTANT
 - 3) ATTACHMENT METHODS INCLUDE PANELS BOLTED TOGETHER PER SPEC

CustomVault
The vault experts
4 Research Drive
Bethel, CT 06801
tel: 203.403.4205
fax: 203.403.4206
www.customvault.com

MATERIAL:	LIGHTWEIGHT
FINISH:	CONSTRUCTION GRADE
WEIGHT:	N/A
SHEET:	1 OF 1

ASSEMBLY NAME GSA CLASS 5 MODULAR VAULT		
SCALE NTS	PART NUMBER N/A	REVISION A